



## TRH : TUBE READY HIGH BAY

### DESCRIPTION

Tube Ready High Bay fixtures are designed for maximum flexibility, pre-wired for double ended line voltage LED tubes (Type B) and external driver double ended LED tubes (Type C). These fixtures, coupled with our LED retrofit tubes, provide the end-user with the ability to address their specific needs with maximum ROI: low costs, ease of maintenance, energy savings, and low installation times.

### FEATURES

- Pre-wired for bypass/line voltage double-ended LED T8 or T5 tubes
- White finish
- Compatible with any suitable T8 or T5 LED tubes

### LISTINGS

- UL Listed for Dry and Damp Locations

### CONSTRUCTION

- Galvanized sheet steel body
- Post-fabrication powder coating for improved corrosion resistance

### WARRANTY

- 5 year limited warranty; see eiko.com for warranty details

|                |         |
|----------------|---------|
| project name   | type    |
| catalog number |         |
| comments       | voltage |
| approved by    | date    |



4 x 4' T8



6 x 4' T8



8 x 4' T8



4 x 4' T5

### APPLICATIONS

- Highbay
- Warehouse
- Lowbay



## ORDERING INFORMATION

EXAMPLE: TRH4-44T8DE

| Model                          | Size  | Lamp Type                           |
|--------------------------------|---|-------------------------------------|
| TRH4 - Tube Ready High Bay, 4' | 44 - Holds 4x 4' Line Voltage Double Ended T8 Lamps<br>64 - Holds 6x 4' Line Voltage Double Ended T8 Lamps<br>84 - Holds 8x 4' Line Voltage Double Ended T8 Lamps | T8DE - Line Voltage Double Ended T8 |
|                                | 44 - Holds 4x 4' Line Voltage Double Ended T5 Lamps   | T5DE - Line Voltage Double Ended T5 |

## PERFORMANCE SUMMARY

### FOR T8 LAMPS

| Order Code | Item #      | Length | # of Lamps | Max Wattage per Lamp |
|------------|-------------|--------|------------|----------------------|
| 11212      | TRH4-44T8DE | 4'     | 4          | 17W                  |
| 11213      | TRH4-64T8DE | 4'     | 6          | 17W                  |
| 11214      | TRH4-84T8DE | 4'     | 8          | 17W                  |

### FOR T5 LAMPS

| Order Code | Item #      | Length | # of Lamps | Max Wattage per Lamp |
|------------|-------------|--------|------------|----------------------|
| 11215      | TRH4-44T5DE | 4'     | 4          | 25W                  |

## ACCESSORIES

| Order Code | Item #   | Description          |
|------------|----------|----------------------|
| 11216      | TRHWG4   | Wire Guard 4 Lamp    |
| 11217      | TRHWG6   | Wire Guard 6 Lamp    |
| 11218      | TRHWG8   | Wire Guard 8 Lamp    |
| 11268      | TRHWG4T5 | Wire Guard 4 Lamp T5 |

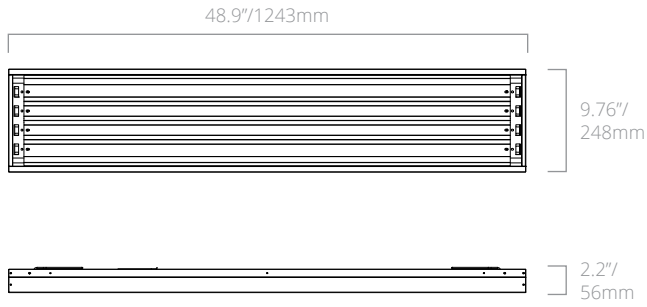
## ACCESSORIES: COMPATIBLE T8 LAMPS

| Order Code | Item #                    | Order Code | Item #                    | Order Code | Item #                        |
|------------|---------------------------|------------|---------------------------|------------|-------------------------------|
| 09598      | LED9WT8/24/840-DBL-G7D    | 10878      | LED10.5WT8/48/850-DBL-G8D | 09603      | LED14WT8/48/850-DBL-G7D       |
| 09599      | LED9WT8/24/850-DBL-G7D    | 10465      | LED18.5WT8/48/840-G8D     | 09604      | LED17WT8/48/835-DBL-G7D       |
| 10101      | LED12WT8/48/835-G8DM      | 10466      | LED18.5WT8/48/850-G8D     | 09605      | LED17WT8/48/840-DBL-G7D       |
| 10102      | LED12WT8/48/840-G8DM      | 10437      | LED12WT8/48/835-DBL-G8D   | 09606      | LED17WT8/48/850-DBL-G7D       |
| 10103      | LED12WT8/48/850-G8DM      | 10435      | LED12WT8/48/840-DBL-G8D   | 11230      | LED10.5WT8/48/835-DBL-NPC-G9D |
| 10876      | LED10.5WT8/48/835-DBL-G8D | 10438      | LED12WT8/48/850-DBL-G8D   | 11231      | LED10.5WT8/48/840-DBL-NPC-G9D |
| 10877      | LED10.5WT8/48/840-DBL-G8D | 10436      | LED15WT8/48/840-DBL-G8D   | 11232      | LED10.5WT8/48/850-DBL-NPC-G9D |
| 10878      | LED10.5WT8/48/850-DBL-G8D | 10470      | LED15WT8/48/850-DBL-G8D   | 11233      | LED15WT8/48/835-DBL-NPC-G9D   |
| 10876      | LED10.5WT8/48/835-DBL-G8D | 09594      | LED14WT8/48/835-DBL-G7D   | 11234      | LED15WT8/48/840-DBL-NPC-G9D   |
| 10877      | LED10.5WT8/48/840-DBL-G8D | 09595      | LED14WT8/48/840-DBL-G7D   | 11235      | LED15WT8/48/850-DBL-NPC-G9D   |

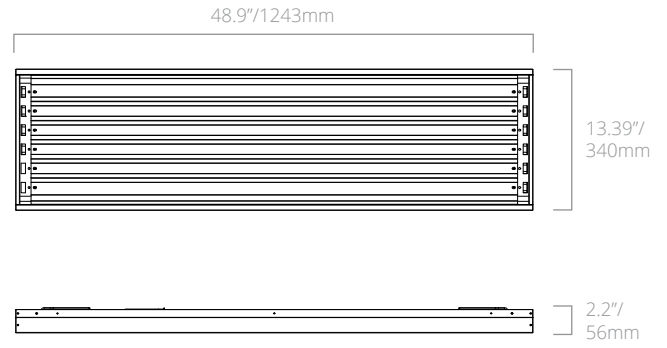
## COMPATIBLE T5 LAMPS

| Order Code | Item #                     |
|------------|----------------------------|
| 09949      | LED25WT5HO/46/835-G8D      |
| 10047      | LED25WT5HO/46/835-G8D-347V |
| 09947      | LED25WT5HO/46/840-G8D      |
| 10048      | LED25WT5HO/46/840-G8D-347V |
| 09948      | LED25WT5HO/46/850-G8D      |
| 10049      | LED25WT5HO/46/850-G8D-347V |

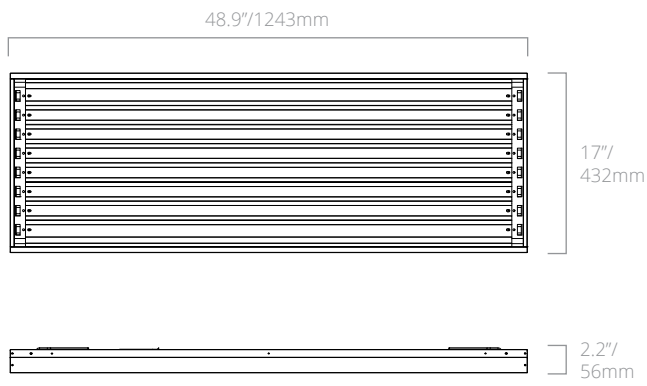
# DIMENSIONS



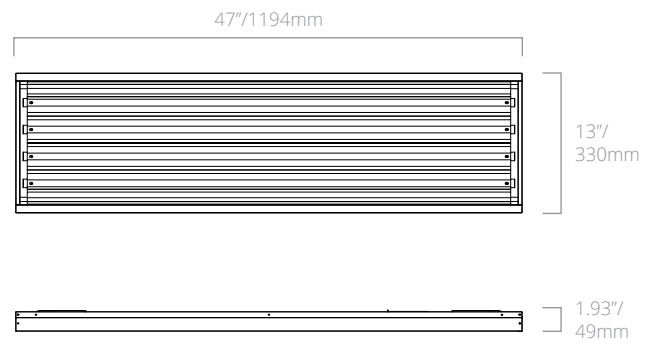
**TRH4-44T8DE**



**TRH4-64T8DE**



**TRH4-84T8DE**



**TRH4-44T5DE**