

Project:

Type:

Prepared By:

Date:



UPC: 019813748993



Features and Benefits

Replacement for traditional Metal Halide or High Pressure Sodium HID Lamps

Ideal for wall pack retrofit applications

Optimized for Horizontal Applications with Directional Light Output and Rotatable base

Active Cooling: Internal sensor overheat and engaged will automatically reduce output to 70% rated wattage until the sensor cools and will light up again to 100%

Integral Driver enables lamp to be wired directly to line voltage without need for an external driver or ballast

Rated for use in enclosed and open fixtures in dry or damp locations

4kV surge protection built in

50,000 hour Lifespan

Environmentally friendly, no mercury used

UL Listed, UL Classified, DLC Listed

Non-Dimmable

5 Year No Compromise Warranty

Technical Specifications

Performance

Product Type:

HID

Input Wattage:

40W

Typical Lumen Output:

6200

Efficacy:

155 lm/W

Color Temperature:

4000K Cool White

CRI:

80

L70 Lifespan:

50,000 Hours

Dimmable:

No

Construction

Bulb Shape:

Wall Pack

Base Type:

EX39

Beam Angle:

180°

Other

Equivalency:

200W HID

Warranty (Years):

RAB warrants that our LED products will be free from defects in materials and workmanship for a period of five (5) years from the date of delivery to the end user, including coverage of light output, color stability, driver performance and fixture finish. RAB's warranty is subject to all terms and conditions found at rablighting.com/warranty.

Electrical

Power Factor:

0.9

Operating Temperature:

-30°C - 60°C

Input Voltage:

100-277V

Technical Specifications (continued)

Electrical

Operating Frequency:

50 / 60 Hz

Installation

Installation Type:

Type B, Ballast Bypass

Installation Orientation:

Universal Installation

Technical Specifications

For Use in Emergency Fixtures:

No

For Use Outdoors in Open Fixtures:

Yes

Electrical Characteristics

Flicker:

<30%

THDi:

<20%

Compliance

UL Listed:

Yes

UL Classified:

Yes

DLC Listed:

This product is on the Design Lights Consortium (DLC) Qualified Products List and is eligible for rebates from DLC Member Utilities.

DLC Model Number:

HID-40-H-EX39-840-BYP-WP

DLC Product Code:

PJT9AXRP

CEC Status:

Lawful for sale in California

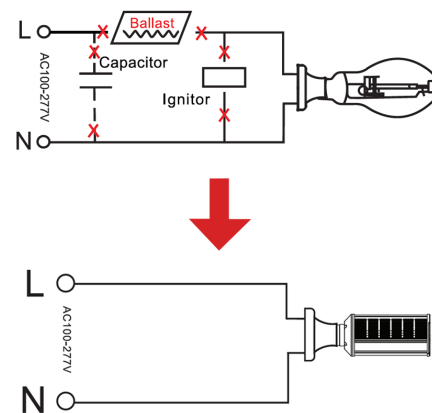
Minimum Compartment Size

Length x Width x Height [in]	Lamp Quantity
8.0 x 8.0 x 11.0	1

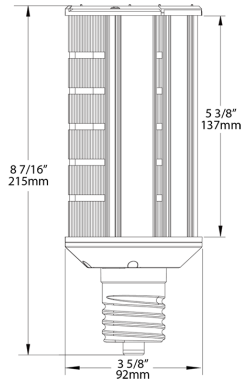
Case and Pallet Dimensions

	QTY	LENGTH (in)	WIDTH (in)	HEIGHT (in)
CASE	12	16.7	12.7	10.8
PALLET	288	27.3	35.4	37

Wiring Diagram



Dimension



Light Distribution

